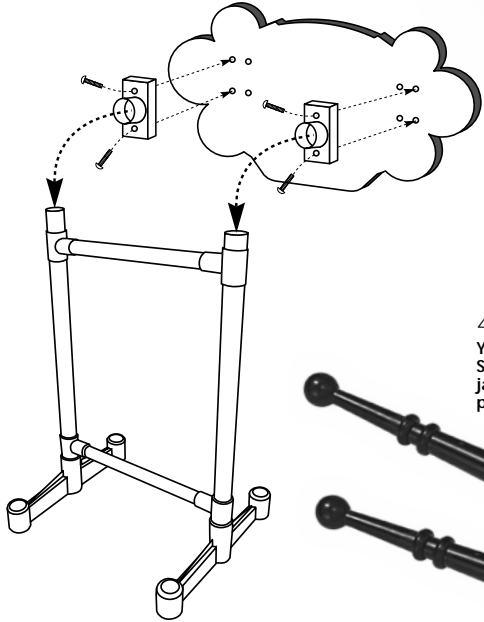
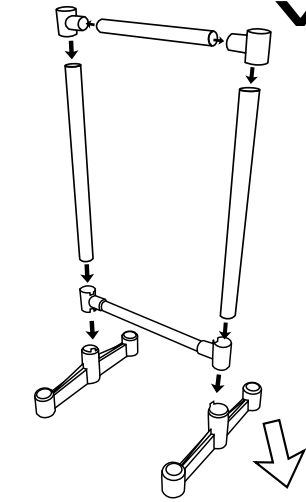


DIGITAL DRUM™ WITH STAND



4 SFX:
You can press SFX buttons to jam with the playing rhythm.

DRUM VOLUME:
Slide the switch to increase or decrease the Drum Volume only.

RHYTHM KEYS:
You can choose from 30 different rhythms.

DRUM SOUNDS:
There are 2 modes of drum sounds, Classic & Electronic. Each mode contains 8 drum sounds.

CLASSIC MODE:
In this mode, the 8 drum sounds are: Crash, Hi Hat, Tonic Snare, Solid Snare, Ride Cymbal, Bass, Mid Tom and Floor Tom.

ELECTRONIC MODE:
In this mode, the 8 drum sounds are: Crash, Hi Hat, Electric Tonic Snare, Electric Solid Snare, Ride Cymbal, Electric Bass, Electric Mid Tom and Electric Floor Tom.

RHYTHM VOLUME:
Slide the switch to increase or decrease the volume of Rhythms & Sound Effects.

TEMPO UP / DN:
Rhythm speed can be adjusted by Tempo up (faster) or Tempo Dn (slower).

STOP:
Press Stop button to stop playing.

ON:
Press this button to power on.

- The drum comes with a power save mode. It will go into a sleep mode if the drum is not played in a certain period of time.
- In Demo Mode: The drum will go into sleep mode in 30 seconds.
- In Play mode: The drum will go into sleep mode in 3 minutes

IMPORTANT

Push the Switch near the battery compartment to "PLAY" mode before play. The "DEMO" mode is for shelf sales purpose only.

BATTERY REPLACEMENT

REMOVE SCREW TO OPEN BATTERY COMPARTMENT COVER. THIS UNIT REQUIRES 6 "AA" BATTERIES (INCLUDED). ALWAYS REPLACE ALL SIX BATTERIES AT THE SAME TIME. REPLACE BATTERY COMPARTMENT COVER AND SCREW. ALKALINE BATTERIES ARE RECOMMENDED FOR BEST PERFORMANCE. DO NOT MIX OLD AND NEW BATTERIES. DO NOT MIX ALKALINE, STANDARD (CARBON-ZINC), OR RECHARGEABLE (NICKEL-CADMNIUM) BATTERIES. NON-RECHARGEABLE BATTERIES ARE NOT TO BE RECHARGED. BATTERIES ARE TO BE INSERTED WITH THE CORRECT POLARITY. EXHAUSTED BATTERIES ARE TO BE REMOVED FROM THE TOY. THE SUPPLY TERMINALS ARE NOT TO BE SHORT-CIRCUITED. RECHARGEABLE BATTERIES ARE TO BE REMOVED FROM THE TOY BEFORE BEING CHARGED. RECHARGEABLE BATTERIES ARE ONLY TO BE CHARGED UNDER ADULT SUPERVISION. ONLY BATTERIES OF THE SAME OR EQUIVALENT TYPE AS RECOMMENDED ARE TO BE USED. DO NOT DISPOSE OF BATTERIES IN FIRE, BATTERIES MAY EXPLODE OR LEAK.

KIDZ TOYZ™
because kidz like toyz
KIDZ TOYZ, INC.
MT. KISCO, N.Y. 10549

For Product Questions,
Call 1-877-KIDZTOY (877-543-9869)
Ask for CUSTOMER SERVICE.
Only in the U.S. and CANADA

Please visit us on the web at www.kidztoyz.com



KAWASAKI® IS A TRADEMARK LICENSED BY KAWASAKI MOTORS CORP., U.S.A., WHICH DOES NOT MANUFACTURE OR DISTRIBUTE THIS PRODUCT. CONSUMER INQUIRIES SHOULD BE DIRECTED TO KIDZ TOYZ, INC., 280 NORTH BEDFORD ROAD, SUITE 203, MT. KISCO, NEW YORK 10549 USA

MADE IN CHINA
ITEM NO. 77065